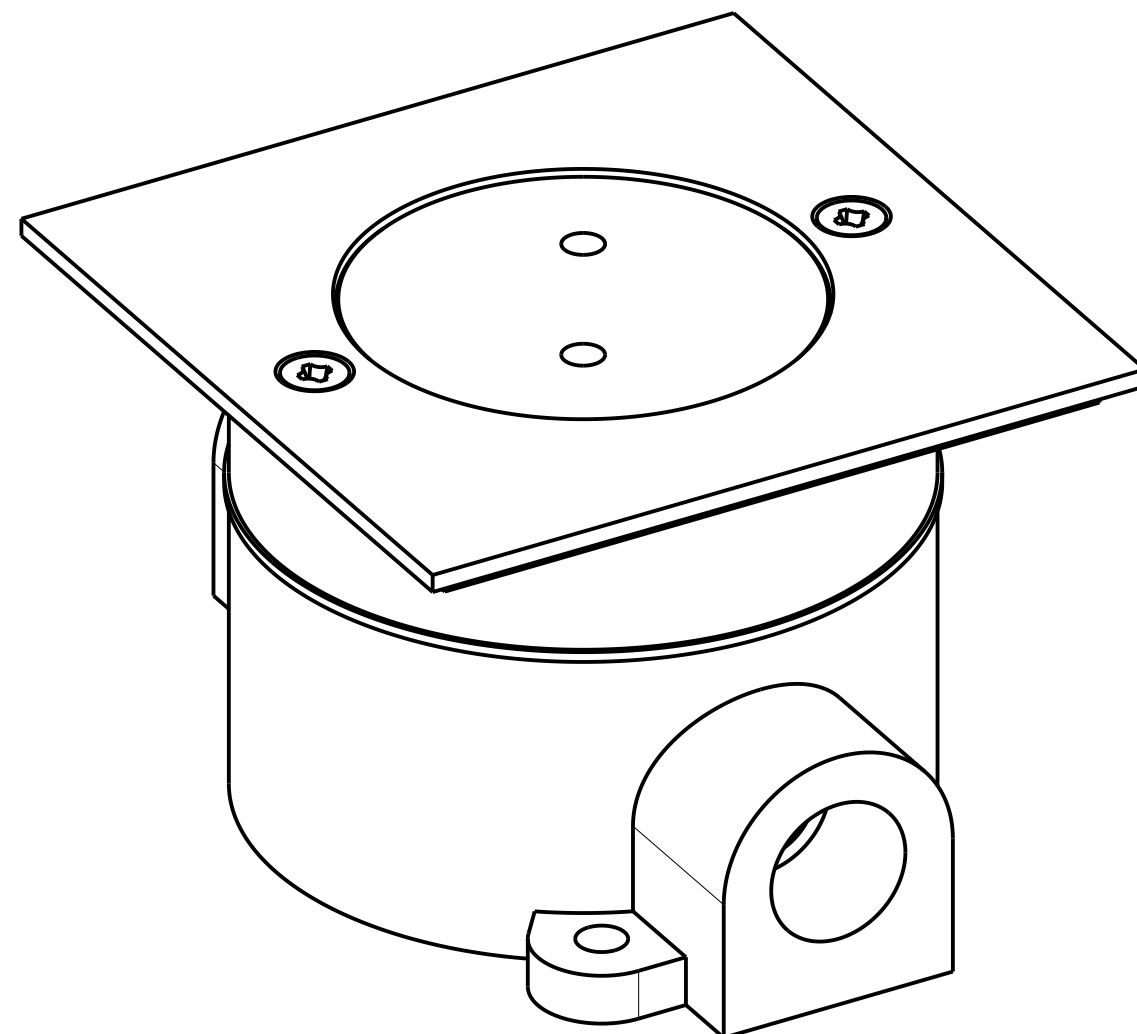
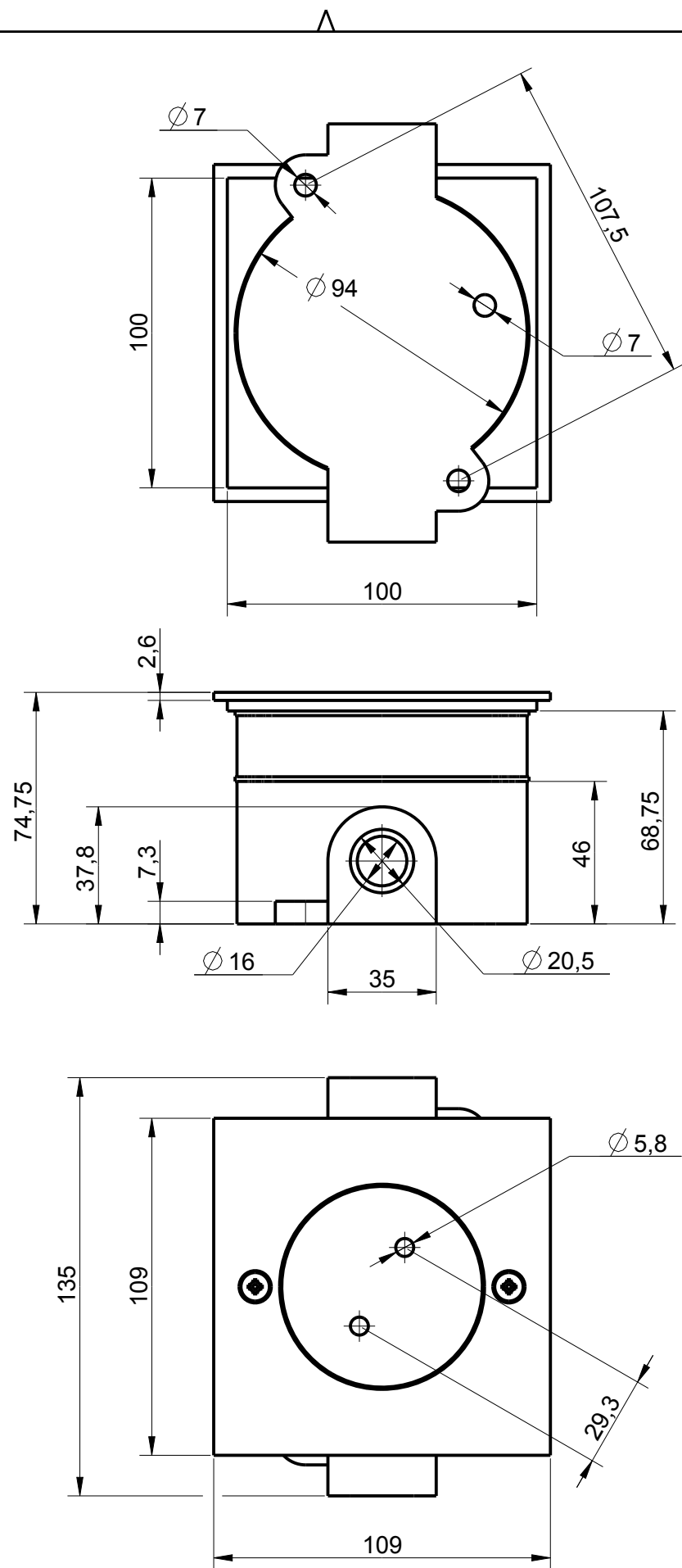


This document is the property of GARO and shall not without our permission in writing be altered, copied, used for manufacturing, or communicated to any other person or company



1:1

Rev.	Specification	Date	Sign

Det	Name		Material	Dim
Drawn KH	Date 2016-03-14	Contr.	Surface spec.	Scale 1:2
Tolerance unless otherwise stated:		GTJ-DOSA SMST		Type A3
SS-ISO 2768-m				Drawing no. 90558

**GARO**

Drawingfilename: 90558\_GTJ-DOSA\_SMST  
Modellfilename : 90558\_GTJ-DOSA\_SMST