

GARO
GKUT 3250 A1V T6
 Ithe 250A IP65
 Ie/Ue 50/60Hz
 400V~ 690V~
 AC-21A 250A 250A
 AC-22A 250A 250A
 AC-23A 250A 250A
 AC-23A 132kW 250kW
 IEC 60947-3

GARO
SÄKERHETSBRYTARE
GKUT 3250 A1V T6
E3134191
107615

3 Poles
 AC-21 250A 400V~
 AC-23 132kW 400V~
 AC-23 250kW 690V~
 Qty: 1

IP65
PLÅT

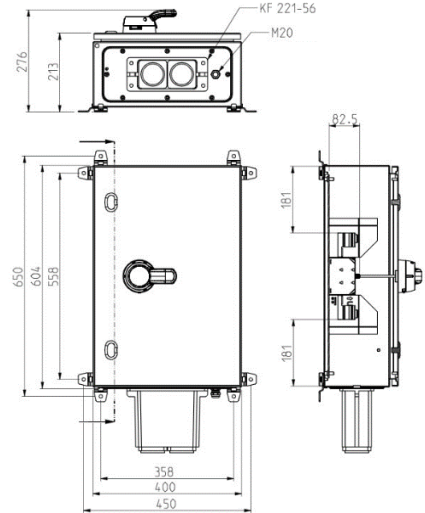
CE
 7331185121185
 GARO AB, Södergatan 26, 33525 Gnösjö




KF 221-56
x 1



M20 M
x 1



Part	Name	Drawing number	Note
Switch	KU 3250W		
Enclosure	T6, 400x600x200	EC040620	
Handle	LKX100, black		
Phase barriers	2x VS250		
Cable connectors	6x KKL1x240M8		Al/Cu(35-240)mm ²
PE-terminal	KL1x95PE + earthing bar		Al/Cu(16-95)mm ²
Shaft	L=175AD12/T6		
Cable flanges/glands	1x KF 221-56 + gasket + mounting kit 1x KPK M20 M + 1x KVM M20 M		ø(45-56)mm ø(6-12)mm
Auxiliary contact	1V160KU		
Wall mounts	ECSF0001		
Cover stamps	GARO-logo Säkerhetsbrytare*		Laser Laser
Data stamp	GKUT 3250 A1V T6		Laser
Package	Single package		
GARO code	107615		
EAN code	7331185121185		
E-number	E3134191		

Made by	S. Repo	Document	107615	Version
Date	15.08.2022	Specification number	107615	
Changes		Type	GKUT 3250 A1V T6	
Approved by		Customer	GARO	
Stamp and approval		 107615		