

GARO

GKUM 6250 A1V MF04

Ithe 250A	IP65
le/Ue 50/60Hz	
400V~	690V~
AC-21A 250A	250A
AC-22A 250A	250A
AC-23A 250A	250A
AC-23A 132kW	250kW
IEC 60947-3	



MADE IN FINLAND

GARO

SÄKERHETSBRYTARE

GKUM 6250 A1V MF04

E3134183

107607

6 Poles		
AC-21	250A	400V~
AC-23	132kW	400V~
AC-23	250kW	690V~

Qty: 1



7331185121109

GARO AB, Södergatan 26, 33525 Gnösjö



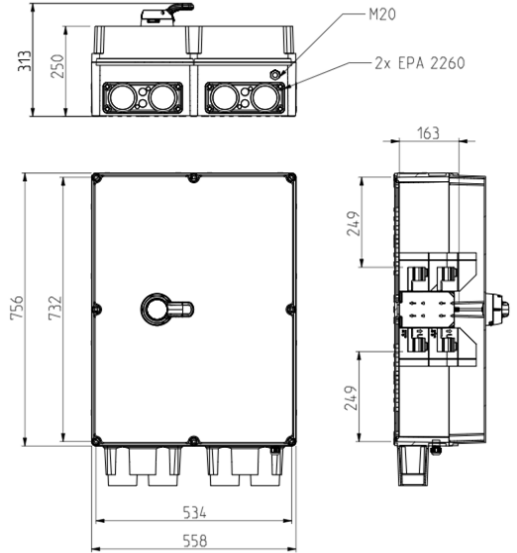
IP65




EPA 2260
x 2



M20 P
x 1



Part	Name	Drawing number	Note
Switch	KU 6250W		
Enclosure	MF04, 560x760x250	FIBOX EKWH	
Handle	LKX100, black		
Phase barriers	4x VS250		
Cable connectors	12x KKL1x240M8		Al/Cu(35-240)mm ²
PE-connector	2x KKL2x150 + PE-bar 3		Al/Cu(25-150)mm ²
Shaft	L=140AD12/T6		
Cable flanges/glands	2x EPA 2260 + mounting kit 1x KPK M20 P + 1x KVM M20 P		ø(28-60)mm ø(7-13)mm
Auxiliary contact	1V160KU		
Cover stamps	GARO-logo Säkerhetsbrytare*		Laser Laser
Data stamp	GKUM 6250 A1V MF04		Laser
Package	Single package		
GARO code	107607		
EAN code	7331185121109		
E-number	E3134183		

Made by	S. Repo	Document	107607	Version
Date	15.08.2022	Specification number	107607	
Changes		Type	GKUM 6250 A1V MF04	
Approved by		Customer	GARO	
Stamp and approval		 107607		