

GARO

GKUT 380 1V T5EMC

1the 125A IP65
Ie/Ue 50/60Hz
400V~ 690V~

AC-21A	125A	125A
AC-22A	100A	100A
AC-23A	80A	63A
AC-23A	45kW	55kW

IEC 60947-3



MADE IN FINLAND

GARO

SÄKERHETSBRYTARE

GKUT 380 1V T5EMC

E3134194

107618

3 Poles
AC-21 125A 400V~
AC-23 45kW 400V~
AC-23 55kW 690V~

Qty: 1



7331185121215

GARO AB, Södergatan 26, 33525 Gnösjö

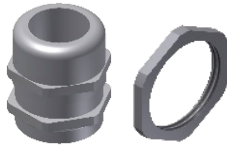


IP65

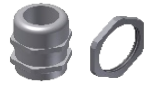


PLÅT

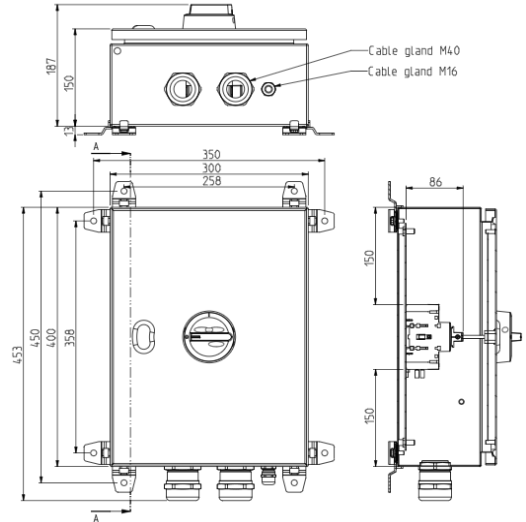
EMC




M40 M EMC
x 2



M16 M EMC
x 1



Part	Name	Drawing number	Note
Switch	KU 3100		
Enclosure	T5, 300x400x150	EC030415	Door earthing
Handle	LK10, black		
PE-terminal	KL1x95PE + earthing bar		Al/Cu(16-95)mm ²
Shaft	L=102AD11/VT		
Cable glands	2x KPK M40 M EMC + 2x KVM M40 M EMC 1x KPK M16 M EMC + 1x KVM M16 M EMC		ø(19-28)mm ø(5-10)mm
Auxiliary contact	1V160KU		
Wall mounts	ECSF0001		
Cover stamps	GARO-logo Säkerhetsbrytare* EMC-mark		Laser Laser Laser
Data stamp	GKUT 380 1V T5EMC		Laser
Package	Single package		
GARO code	107618		
EAN code	7331185121215		
E-number	E3134194		

Made by	S. Repo	Document	107618	Version
Date	08.08.2022	Specification number	107618	
Changes		Type	GKUT 380 1V T5EMC	
Approved by		Customer	GARO	
Stamp and approval		 107618		