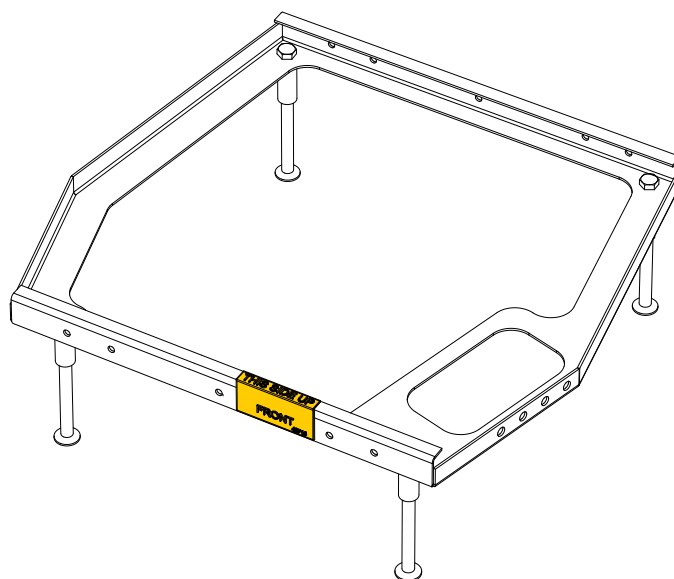




## GARO Nedgjutningsfundament för Althea Concrete casting fixture for Althea



Manual 380235-1

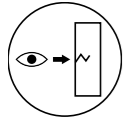
### GARO AB

Box 203, SE-335 25 Gnosjö  
Phone: +46 (0) 370 33 28 00  
Fax: +46 (0) 370 33 28 50  
info@garo.se  
[garo.se](http://garo.se)



**GARO**<sup>®</sup>

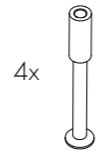
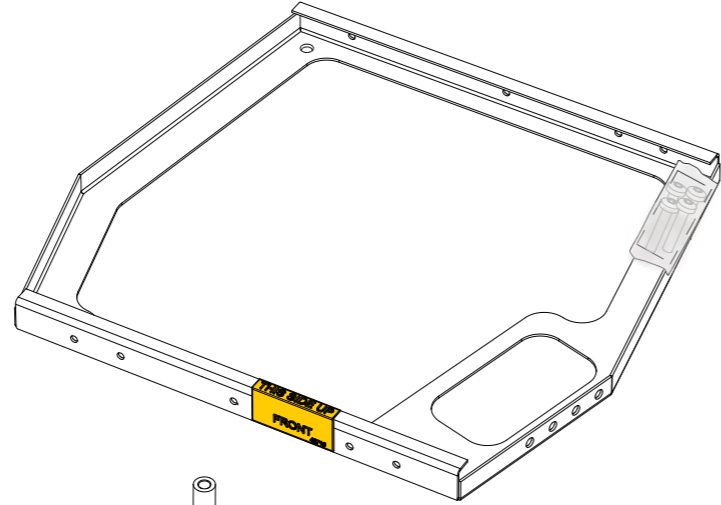
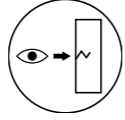
**GARO Nedgjutningsfundament/Concrete casting fixture**



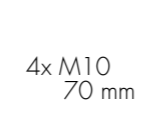
CE



§ See also national installation requirements.



4x M10 20 mm

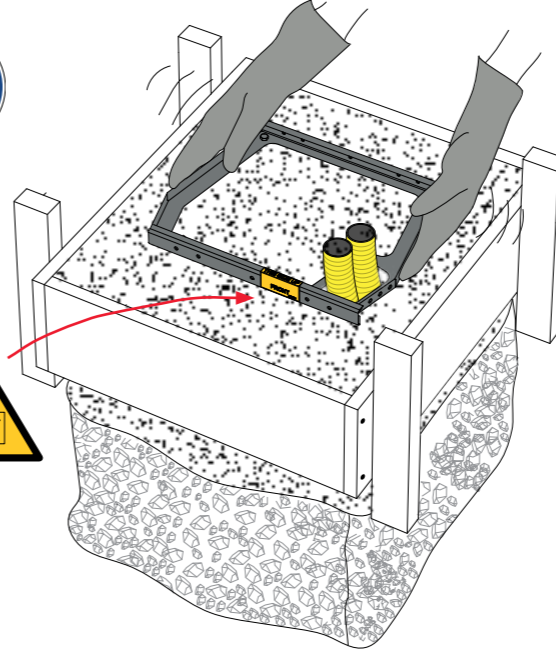
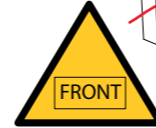


4x M10 70 mm

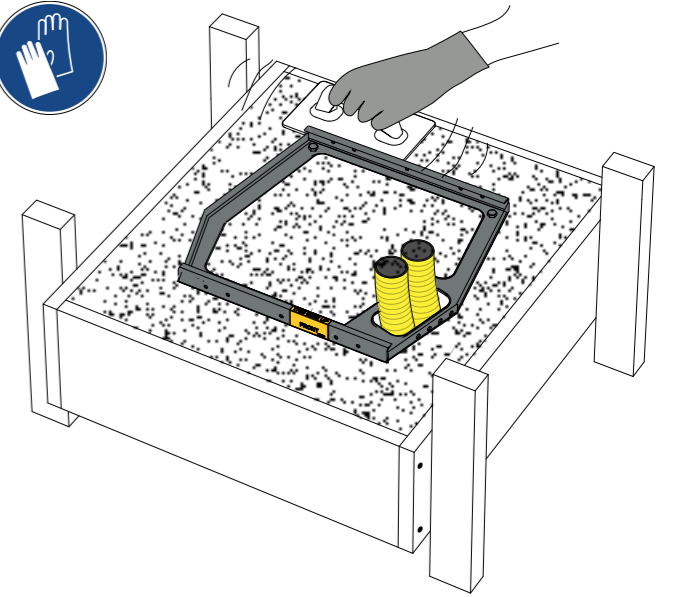


**GARO Nedgjutningsfundament/Concrete casting fixture**

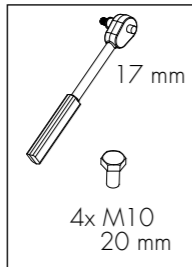
Alt2



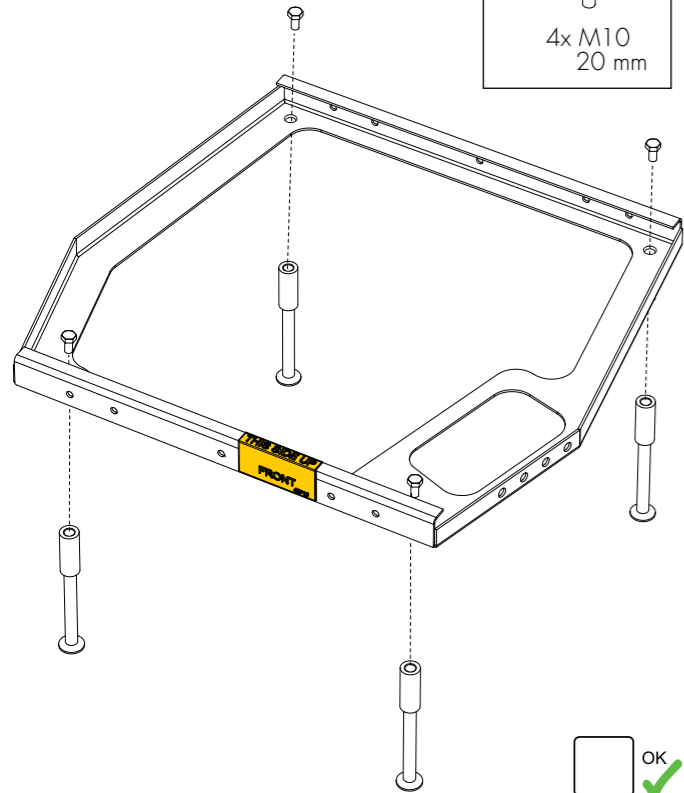
2



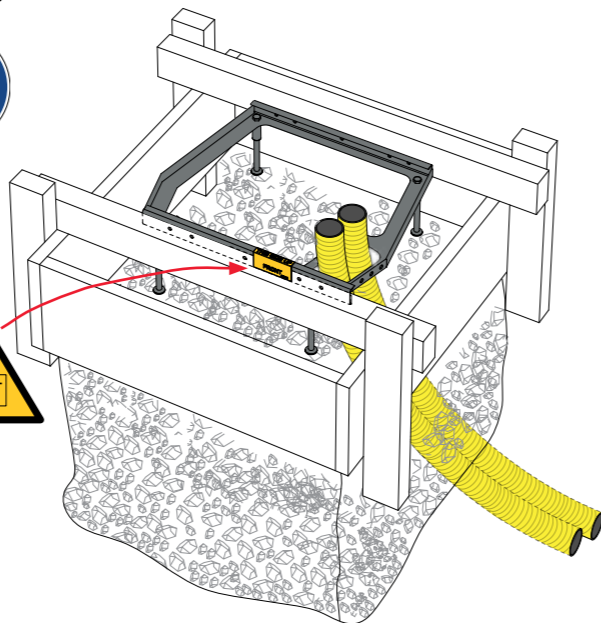
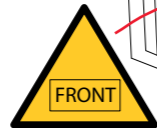
1



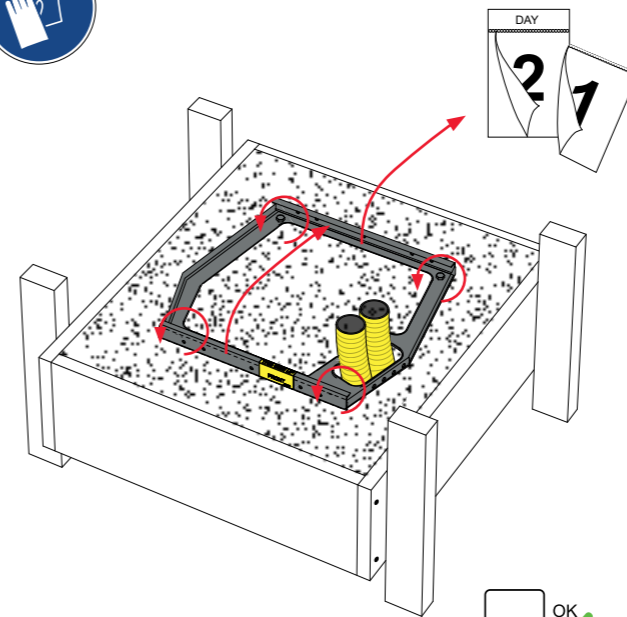
4x M10 20 mm



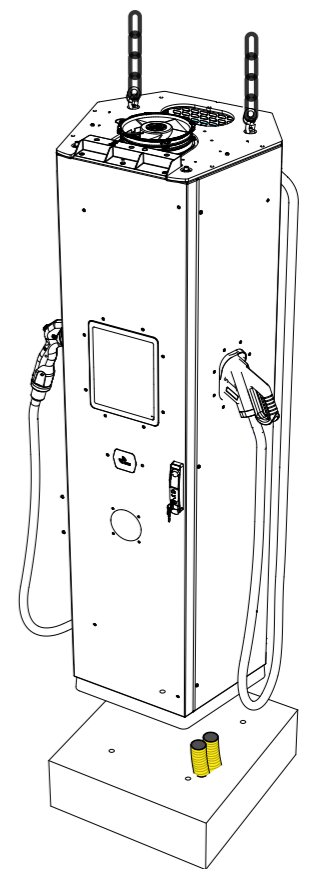
Alt1



3

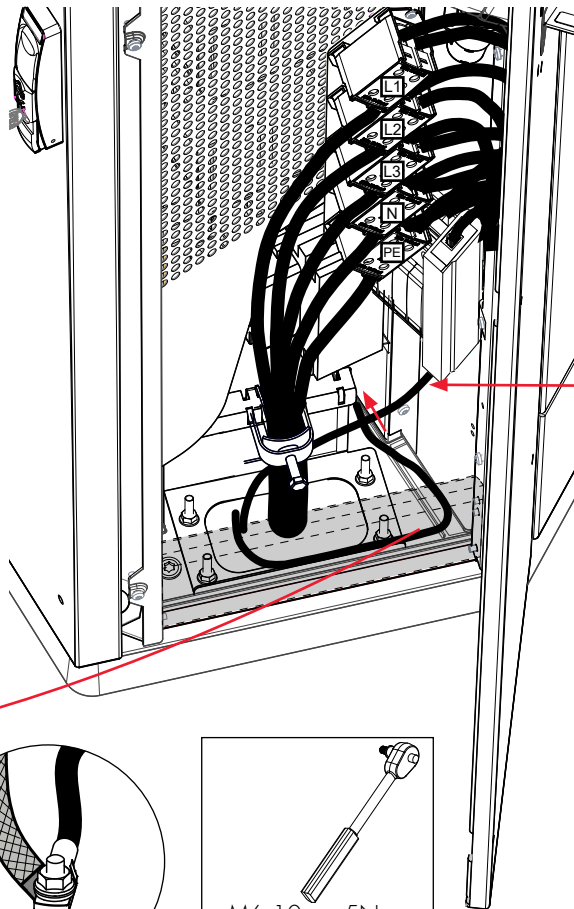
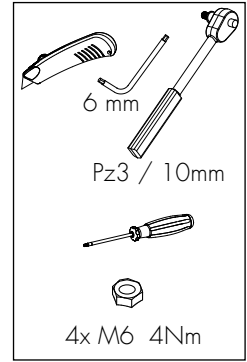
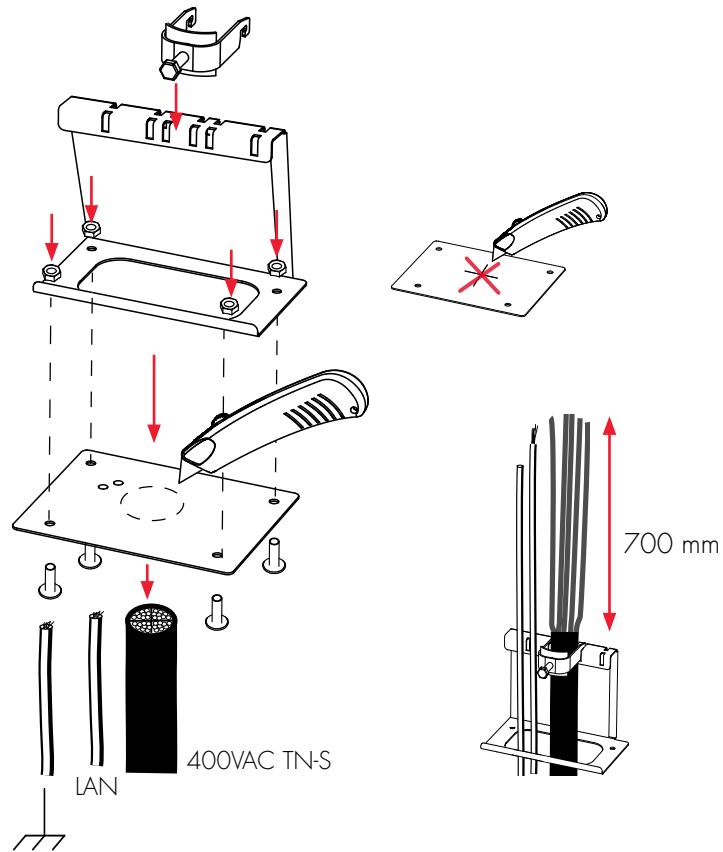
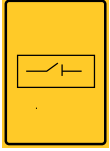


4



# GARO Nedgjutningsfundament/Concrete casting fixture

5



22Nm Cu / Al

