

GARO

GKUM 3250 A1V MF03

Ithe 250A IP65
 Ie/Ue 50/60Hz
 400V~ 690V~
 AC-21A 250A 250A
 AC-22A 250A 250A
 AC-23A 250A 250A
 AC-23A 132kW 250kW
 IEC 60947-3



MADE IN FINLAND

GARO

SÄKERHETSBRYTARE
GKUM 3250 A1V MF03
E3134182
107606

3 Poles
 AC-21 250A 400V~
 AC-23 132kW 400V~
 AC-23 250kW 690V~
 Qty: 1



IP65

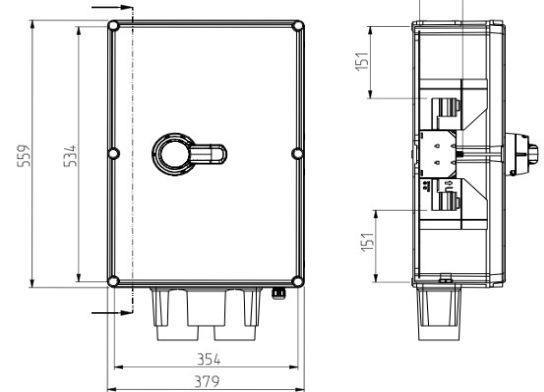
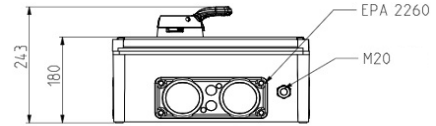


PLAST



7331185121093

GARO AB, Södergatan 26, 33525 Gnösjö




EPA 2260
x 1



M20 P
x 1

Part	Name	Drawing number	Note
Switch	KU 3250W		
Enclosure	MF03, 380x560x180	FIBOX EKHU	
Handle	LKX100, black		
Phase barriers	2x VS250		
Cable connectors	6x KKL1x240M8		Al/Cu(35-240)mm ²
PE-terminal	KL1x95PE + earthing bar		Al/Cu(16-95)mm ²
Shaft	L=155AD12/T6		
Cable flanges/glands	1x EPA 2260 + mounting kit 1x KPK M20 P + 1x KVM M20 P		ø(28-60)mm ø(7-13)mm
Auxiliary contact	1V160KU		
Cover stamps	GARO-logo Säkerhetsbrytare*		Laser Laser
Data stamp	GKUM 3250 A1V MF03		Laser
Package	Single package		
GARO code	107606		
EAN code	7331185121093		
E-number	E3134182		

Made by	S. Repo	Document	107606	Version
Date	15.08.2022	Specification number	107606	
Changes		Type	GKUM 3250 A1V MF03	
Approved by		Customer	GARO	
Stamp and approval		 107606		