



## Pole mount fixture Entity Compact Installation instructions Rev: 1.1

**GARO**<sup>®</sup>

Art no: 380282

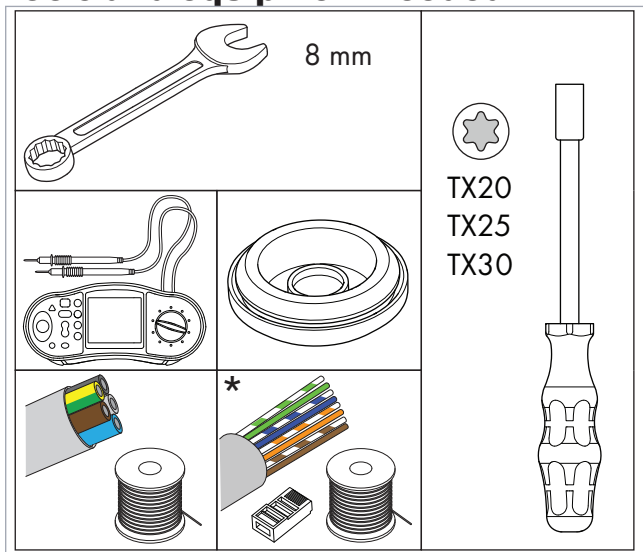


## About this manual

The purpose of this manual is to provide you with the necessary information to install the pole attachment for the Entity Compact models Charging stations.

This document contains general descriptions which are verified to be accurate at the time of printing. However, because continuous improvement is a goal at GARO, we reserve the right to make product modifications at any time.

## Tools and equipment needed



\* If applicable

## To install the Entity Compact charging station (CS)

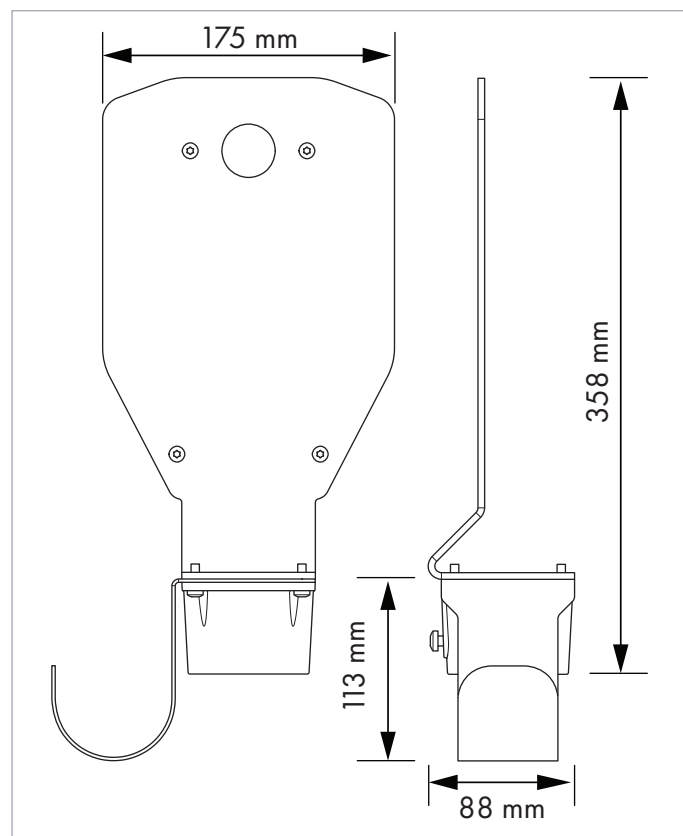
This manual does not contain instructions on how to install a Garo charging station. To install the Entity Compact charging station refer to the installation manual. All installation must be carried out by an authorized installer and comply with local country installation regulations. If any questions, please contact your local electrical authority.

## Pole

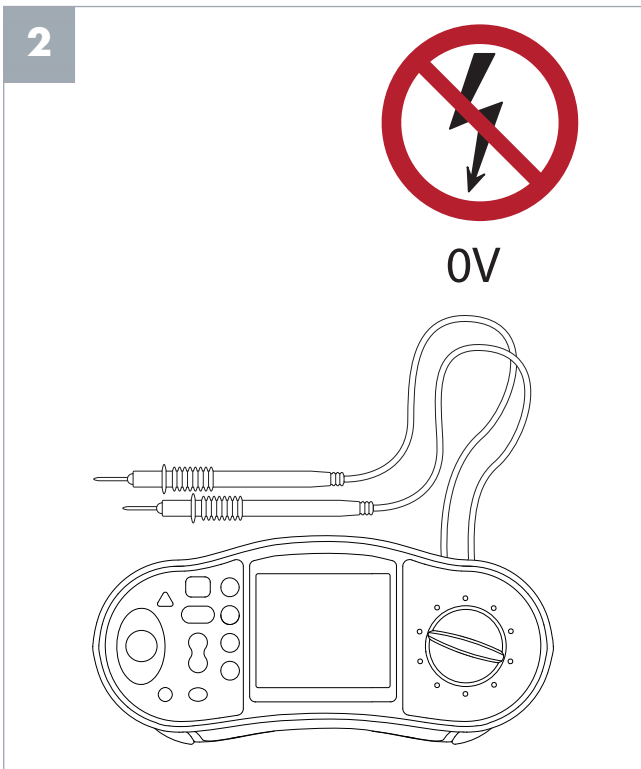
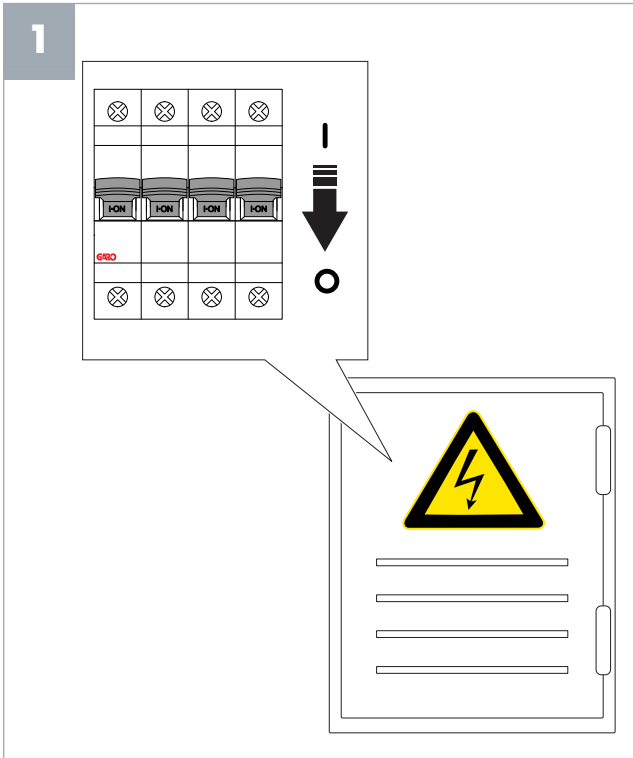
Any 60 mm tube can be used to mount the pole mount fixture. Poles and ground anchors can be ordered from [www.garo.se](http://www.garo.se).

Make sure that the pole is firmly attached to the ground before you attach the pole mount fixture.

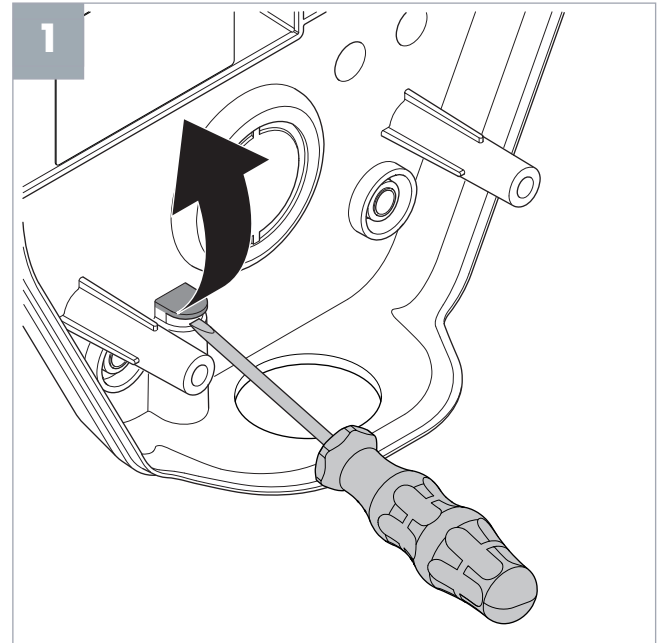
## Dimensions



## To do before installation

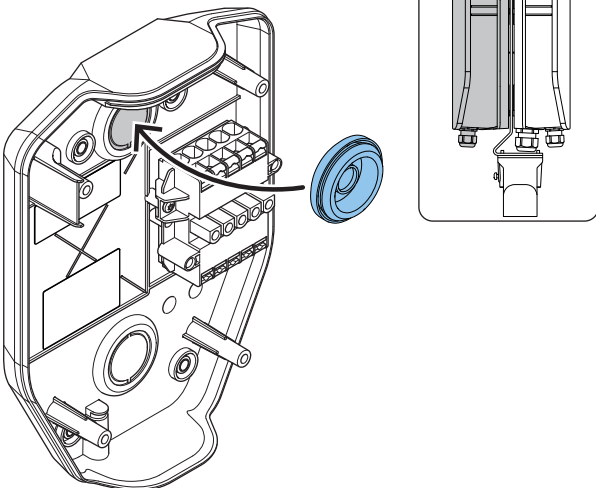
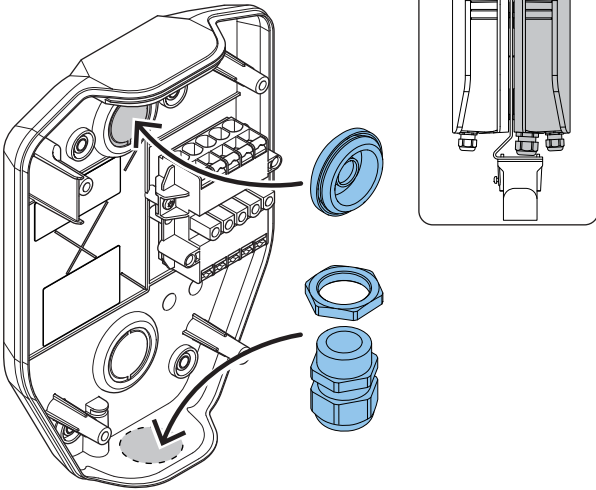
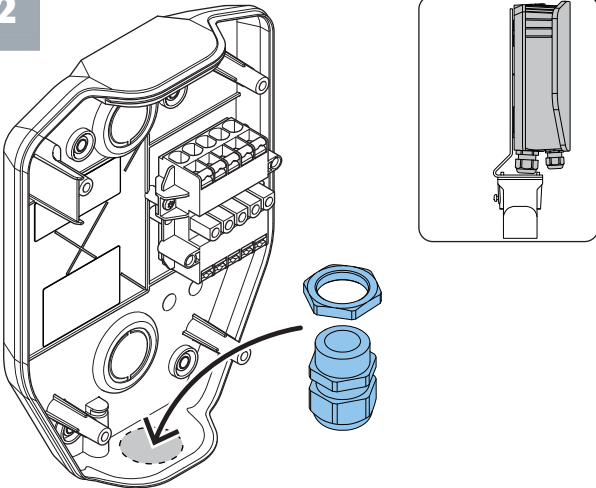


## 1. To prepare the CS bracket for installation on the pole mount fixture



**Note:** Only if an ethernet cable is used.

2



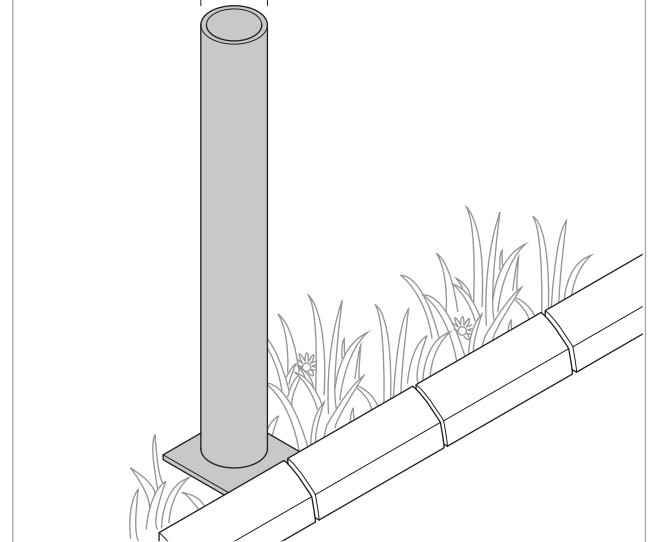
## 2. Install the Pole mount fixture

The mounting process and toques used are the same for both the single and double pole mount fixtures .

Before you start the installation, make sure that the cables are prepared and positioned according to national regulations.

1

60 mm

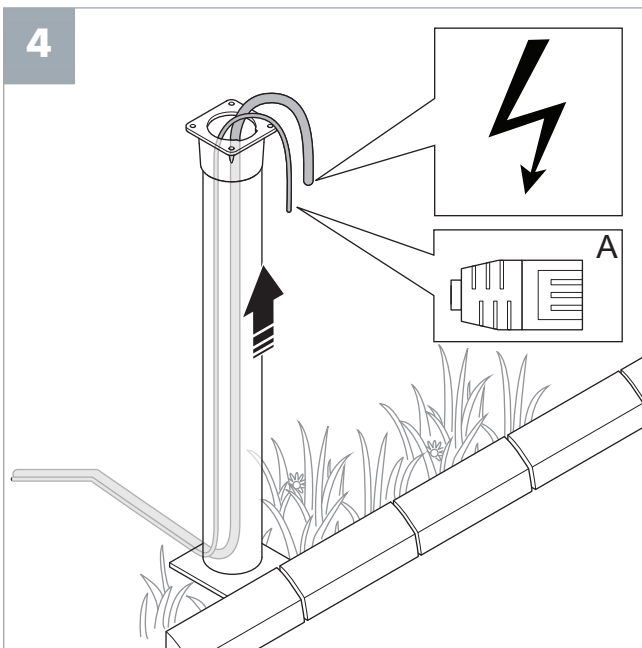
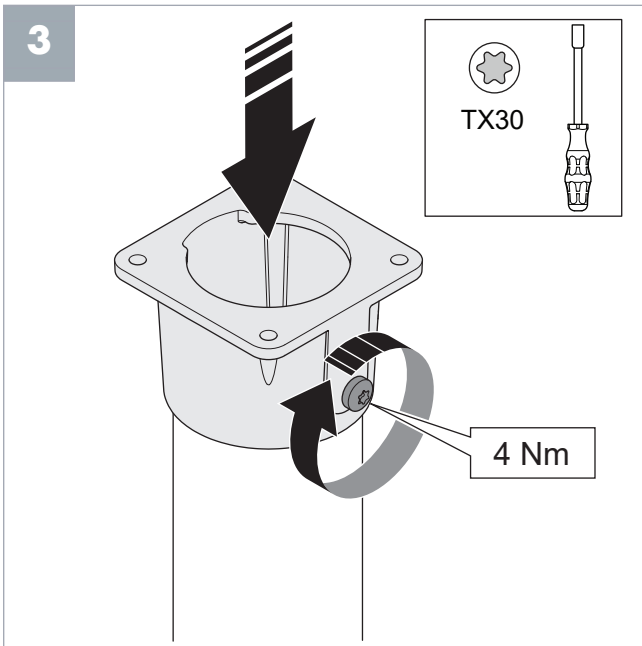


**Note:** Make sure that the pole is attached firmly to the ground.

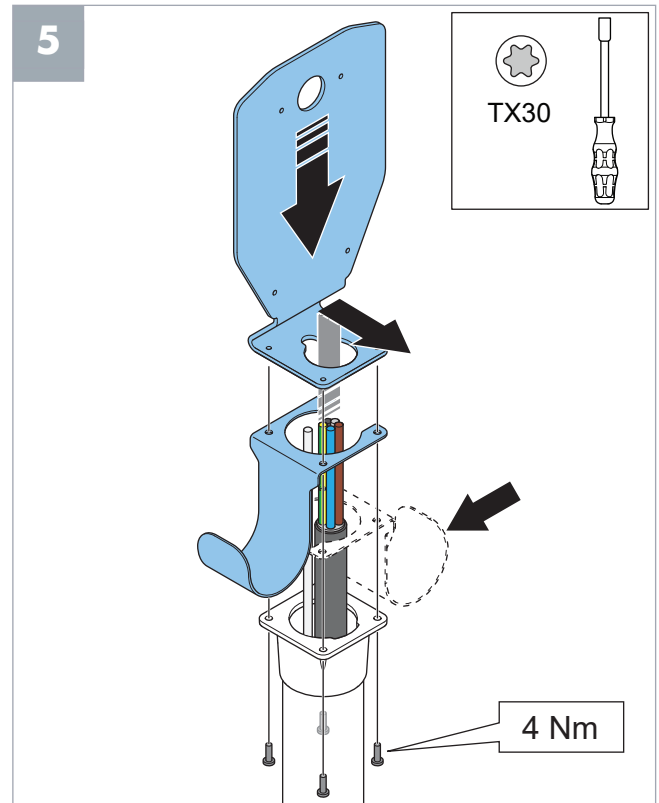
2



**Note:** The short screws are for single CS installation. The long screws are for double CS installation.



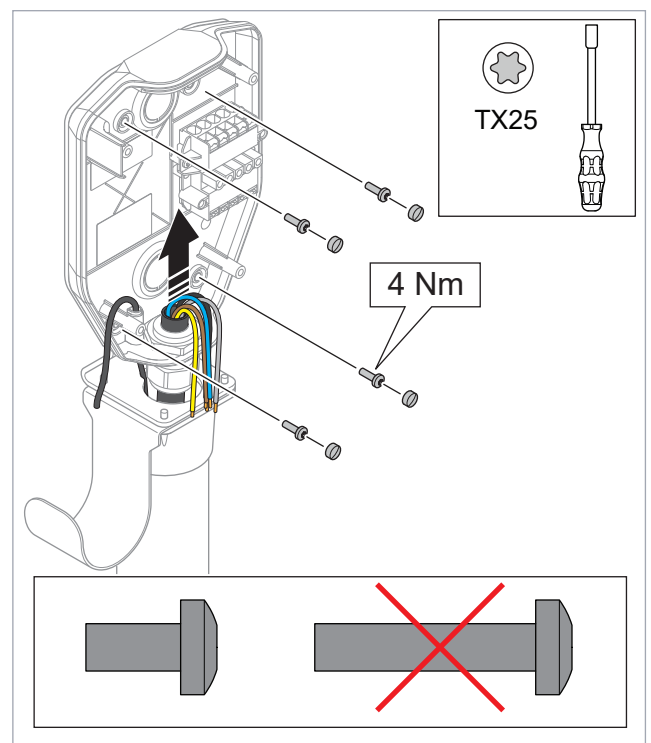
**Note:** Only if an ethernet cable (RJ45) (A) and/or a control cable (B) is used.



**Note:** A separate, second cable holder is available to buy from GARO.

### 3. Attach CS bracket(s) to the pole mount fixture

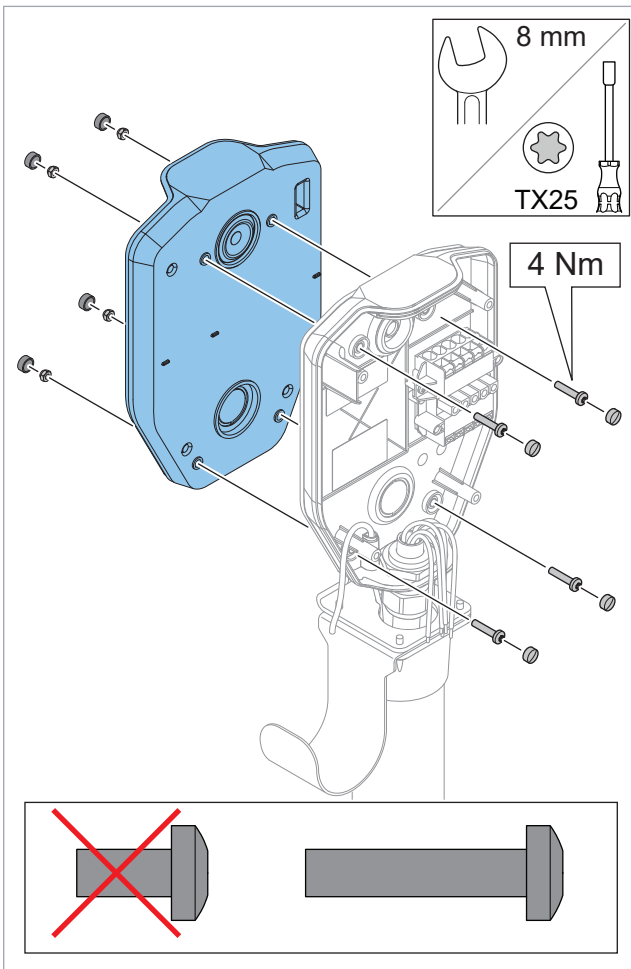
#### 3.1 To install one CS unit



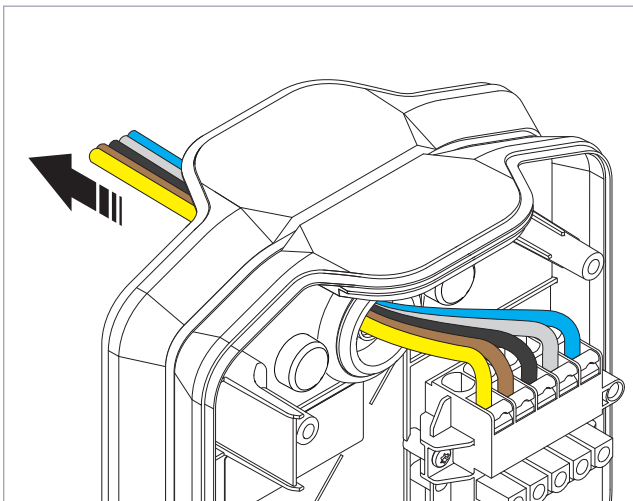
**Note:** Thread the power cable through the grommet and the ethernet cable through the hole before you attach the screws.

### 3.2 To install two CS units

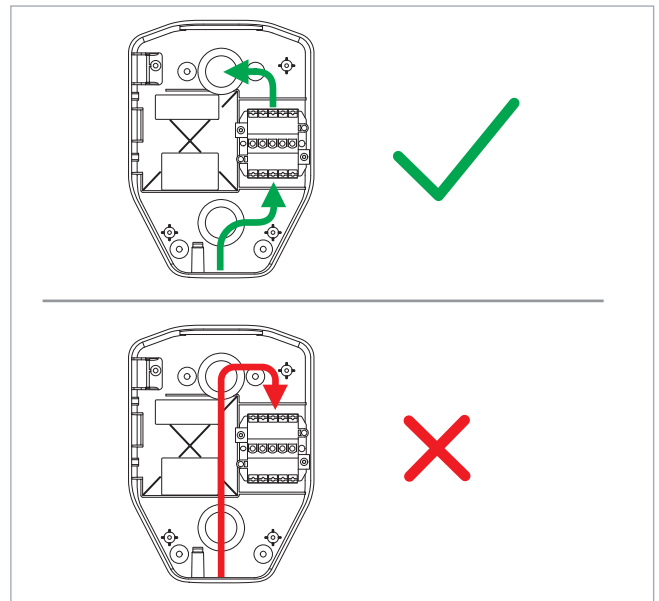
Install the first CS unit. Refer to "To install one CS unit".



**Note:** Make sure that correct cable grommets are installed in the correct positions on both CS brackets before you attach the CS brackets to the pole mount fixture. Refer to "1. To prepare the CS bracket for installation on the pole mount fixture".



### 4. Cable routing



**Note:** No cables or wires may cross the area marked "No Cables".

**GARO E-Mobility AB**

Box 203  
335 33 Gnosjö, Sweden  
Phone +46 370 332 00  
info@garo.se  
www.garo.se

**GARO Finland Oy**

Itälahdenkatu 18 a,  
FI-00210 HELSINKI, Finland  
Telephone: +358 20 752 9030  
E-mail: myynti@garo.fi  
www.garo.fi

**GARO Electric Ireland Ltd**

19/307 Northwest Business Park,  
Blanchardstown, IE-DUBLIN 15, Ireland  
Telephone: +35 31 882 00 30  
E-mail: info@garo.ie  
www.garo.ie

**GARO AS**

Sankt Hallvardsvei 3,  
NO-3414 LIERSTRANDA, Norway  
Telephone: +47 32 89 64 50  
E-mail: garo@garo.no  
www.garo.no,

**GARO Polska Sp z.o.o.**

Kadmowa 4,  
PL-70-856 SZCZECIN, Poland  
Telephone: +48 91 881 17 70 , +48  
91 424 33 35  
Email: info@garo.com.pl  
www.garo.com.pl

**GARO Electric Ltd**

Sales & Customer Service  
Unit 16 Urban Express Park,  
Aston Hall Road,  
Birmingham,  
B6 7FH

