

GARO

GKUM 3160 1V MF02

Ithe 200A IP65
Ie/Ue 50/60Hz
400V~ 690V~

AC-21A	160A	160A
AC-22A	160A	160A
AC-23A	160A	100A
AC-23A	90kW	90kW

IEC 60947-3



MADE IN FINLAND

GARO

SÄKERHETSBRYTARE

GKUM 3160 1V MF02

E3134181

107605

3 Poles
AC-21A 160A 400V~
AC-23A 90kW 400V~
AC-23A 90kW 690V~



IP65

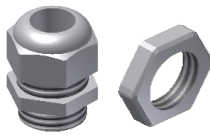


PLAST

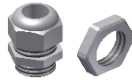


7331185121086

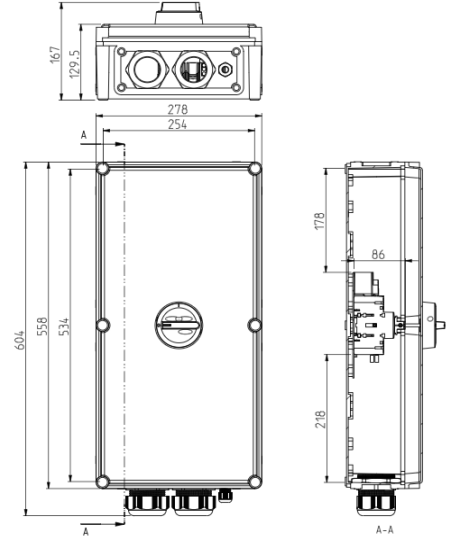
GARO AB, Södergatan 26, 33525 Gnösjö




M63 P
x 2



M16 P
x 1



Part	Name	Drawing number	Note
Switch	KU 3160		
Enclosure	MF02, 280x560x130	FIBOX EKTH	
Handle	LK10, black		
Cable connectors	3x KKL1x120T (top side)		Al/Cu(16-120)mm ²
PE-terminal	KL1x95PE		Al/Cu(16-95)mm ²
Shaft	L=84AD11/VT		
Cable glands	2x KPK M63 P + 2x KVM M63 P 1x KPK M16 P + 1x KVM M16 P		ø(34-44)mm ø(5-10)mm
Auxiliary contact	1V160KU		
Cover stamps	GARO-logo Säkerhetsbrytare*		Laser Laser
Data stamp	GKUM 3160 1V MF02		Laser
Package	Single package		
GARO code	107605		
EAN code	7331185121086		
E-number	E3134181		

Made by	S. Repo	Document	107605	Version
Date	04.08.2022	Specification number	107605	
Changes		Type	GKUM 3160 1V MF02	
Approved by		Customer	GARO	
Stamp and approval		 107605		