



GARO Althea



Manual 380228-1

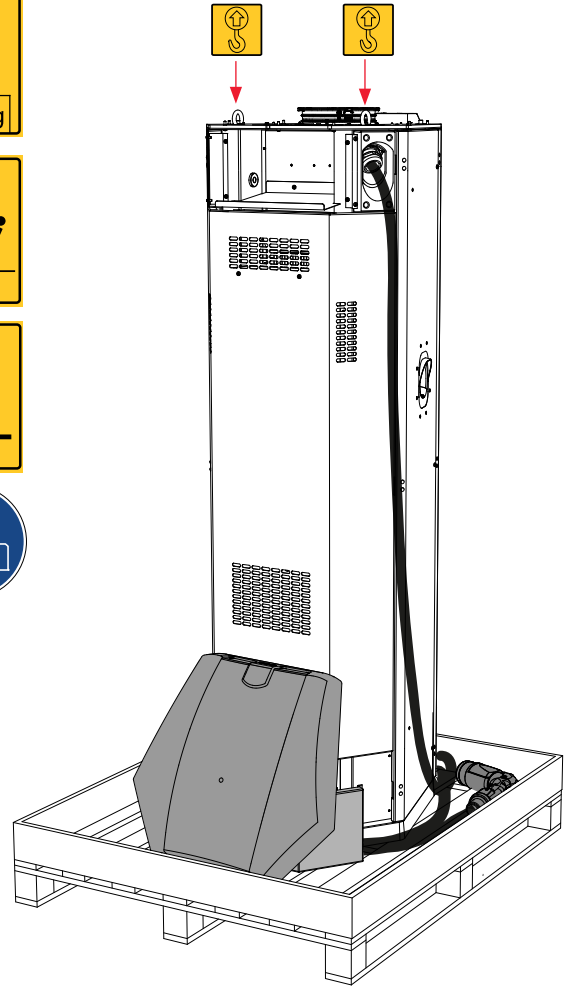
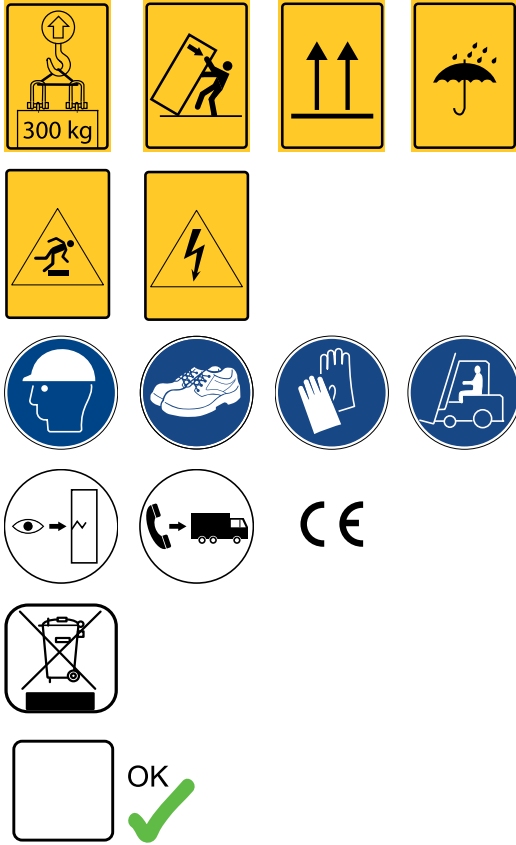
GARO AB

Box 203, SE-335 25 Gnosjö
Phone: +46 (0) 370 33 28 00
Fax: +46 (0) 370 33 28 50
info@garo.se
garo.se

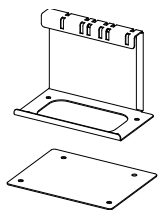
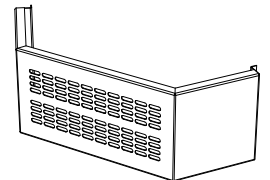
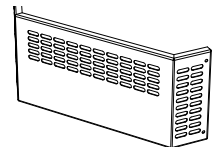
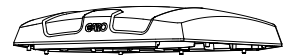
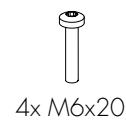
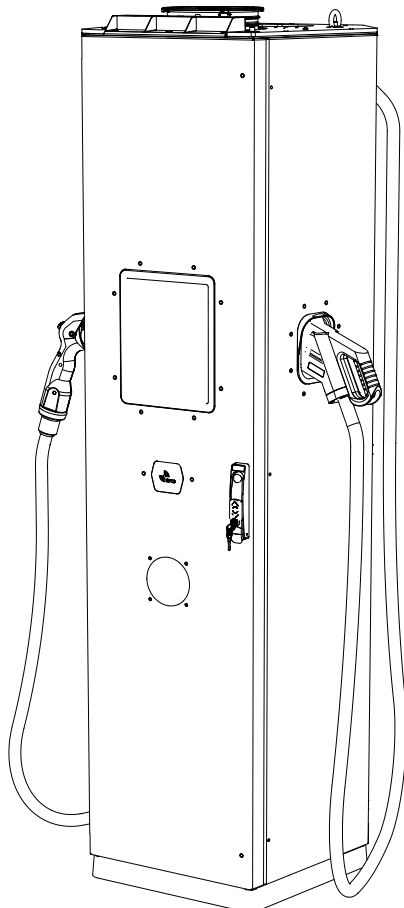
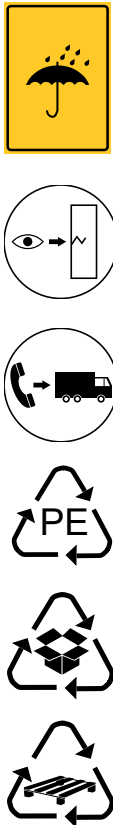


GARO[®]

GARO Althea

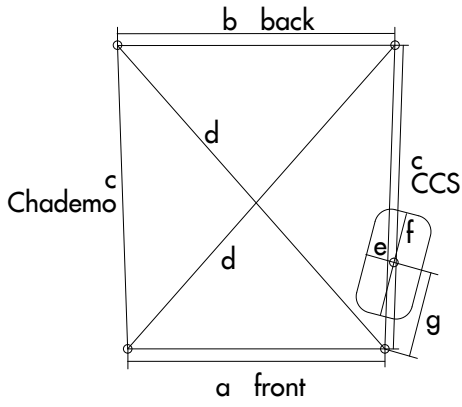


1

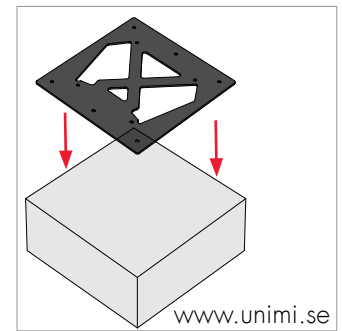
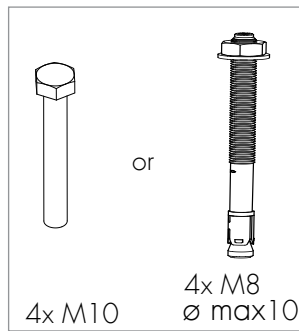
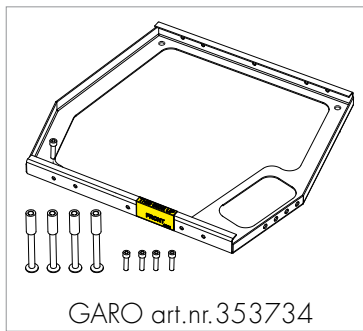
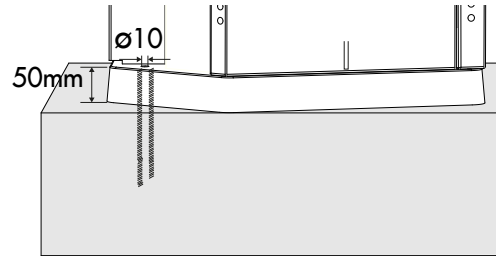
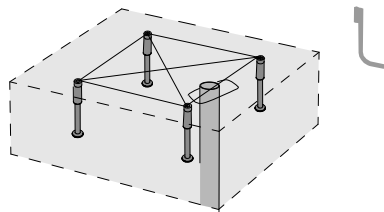
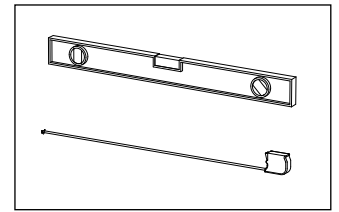


GARO Althea

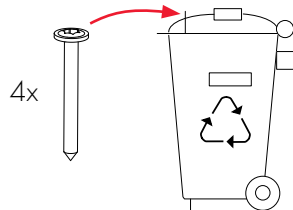
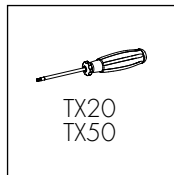
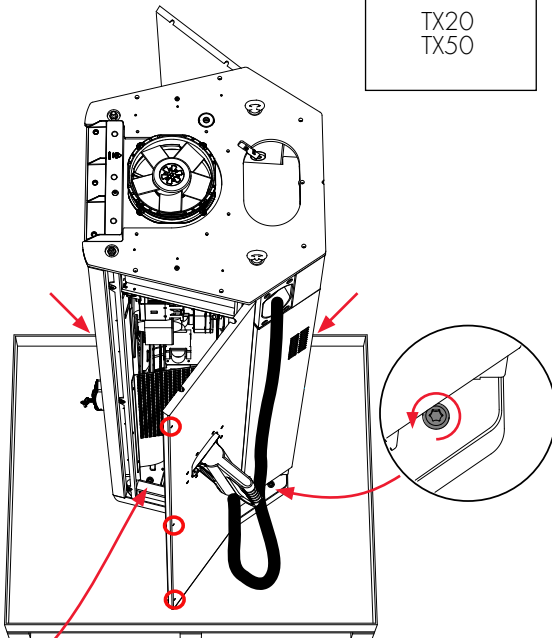
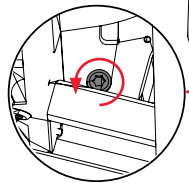
2



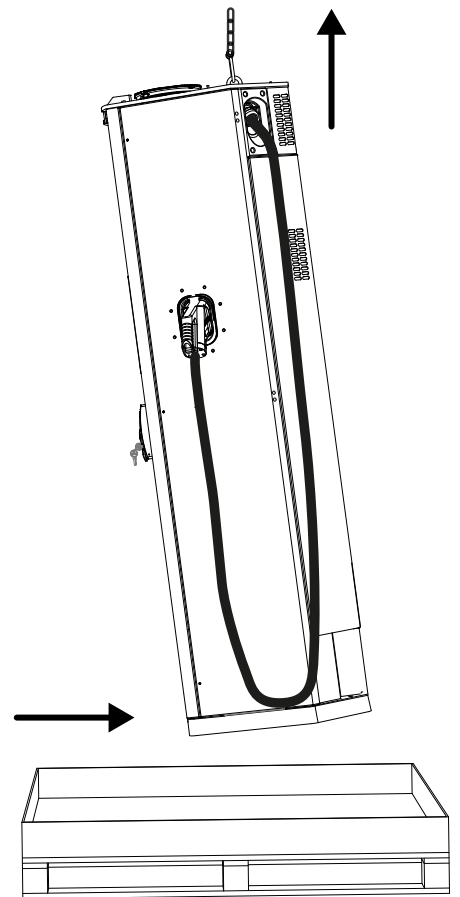
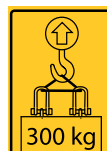
a	315 mm
b	340 mm
c	372,2 mm
d	495,6 mm
e	70 mm
f	130 mm
g	104 mm



3

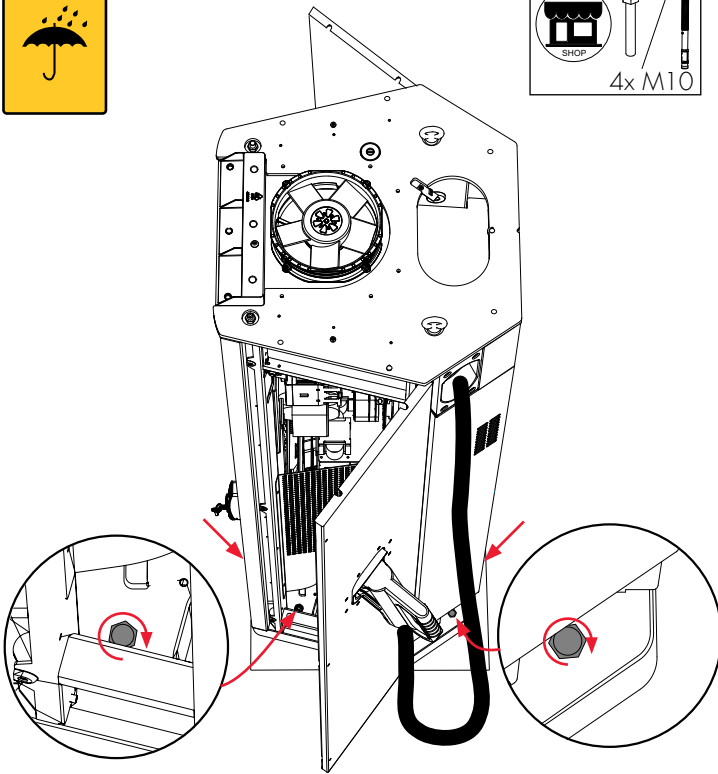
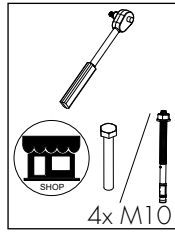


4

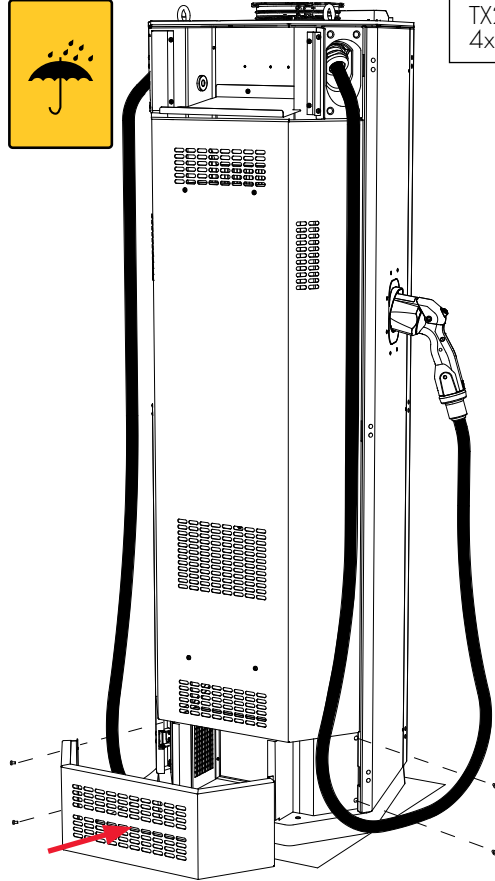
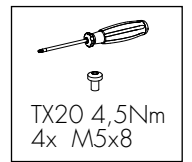


GARO Althea

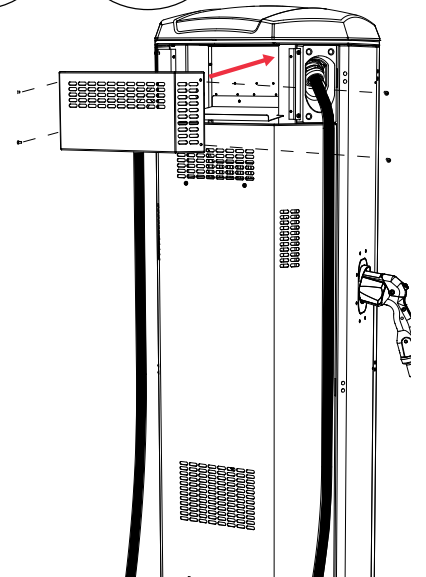
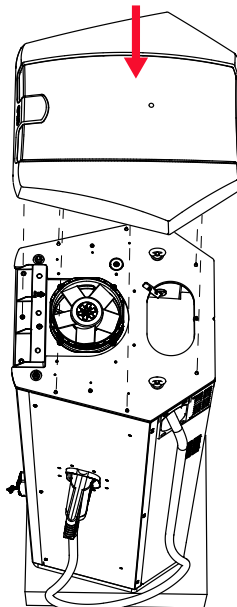
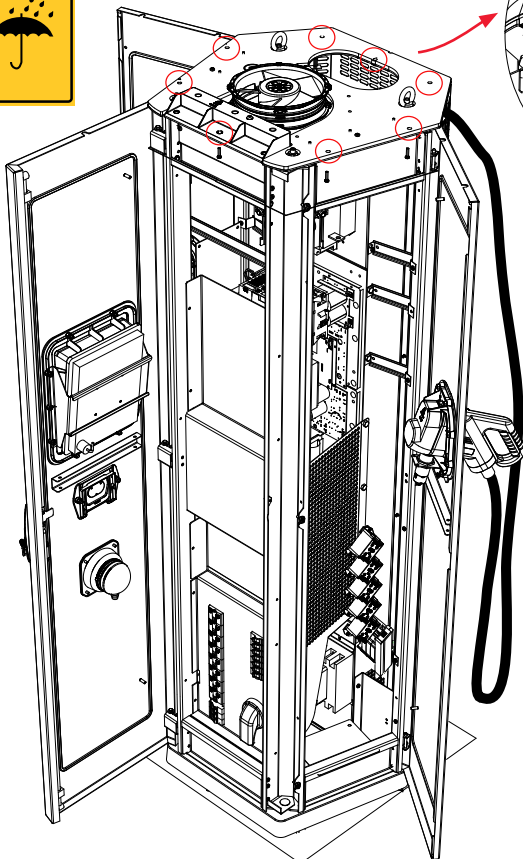
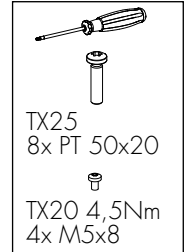
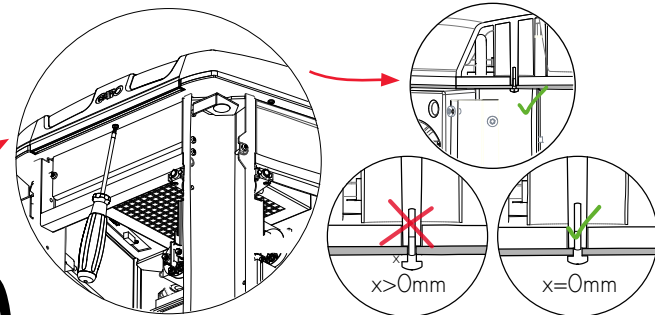
5



6

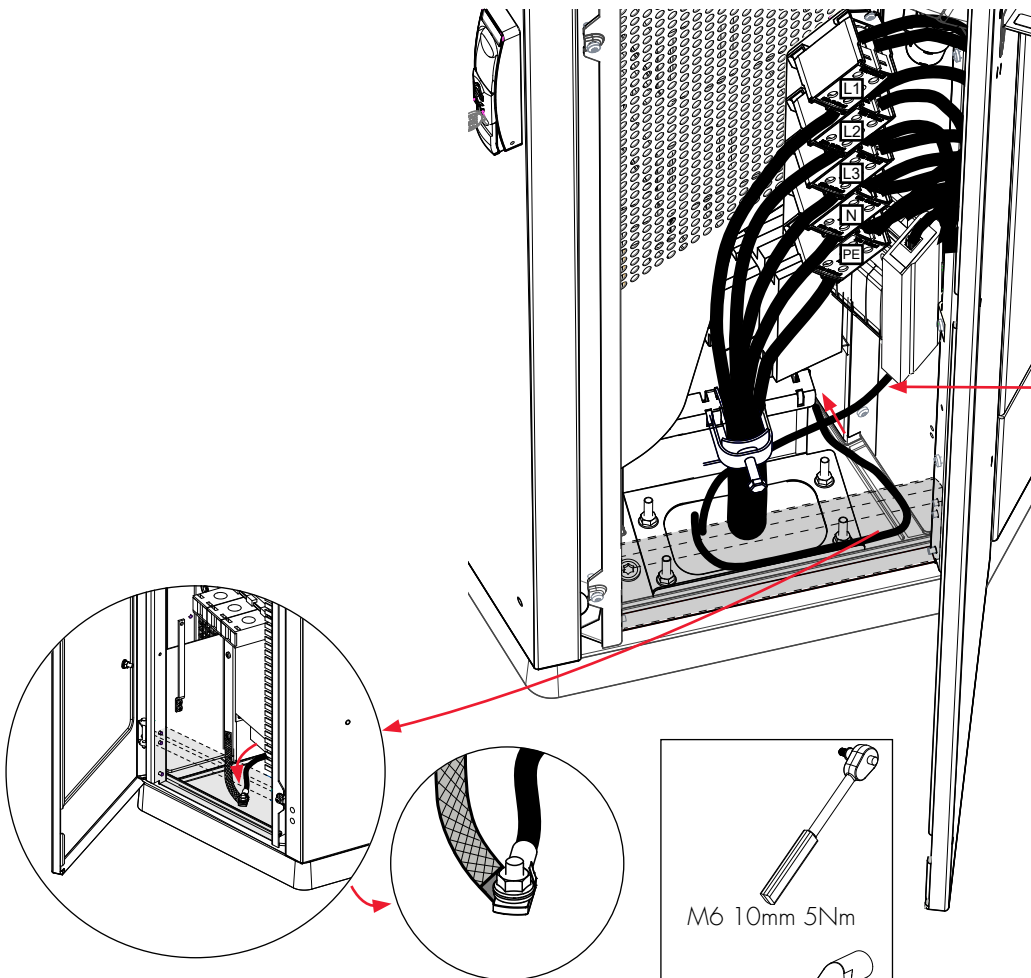
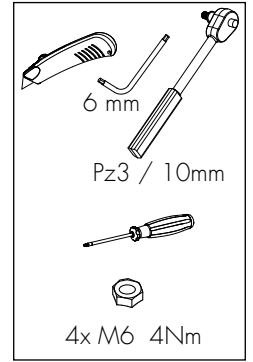
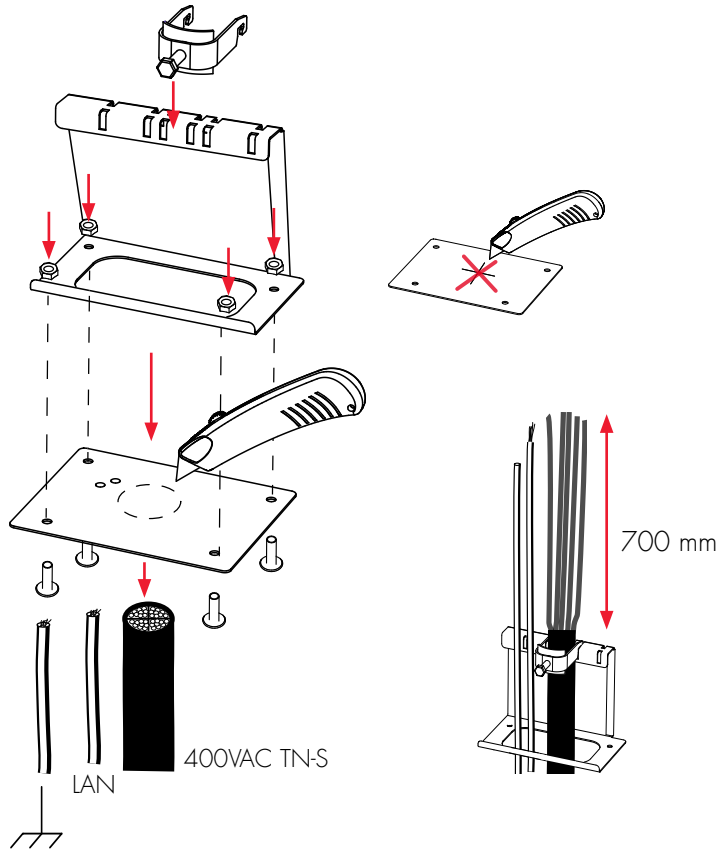
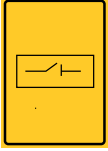


7

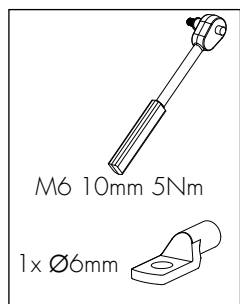
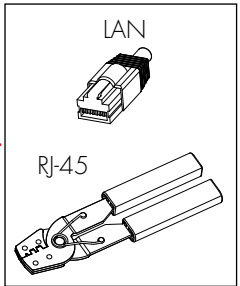


GARO Althea



8

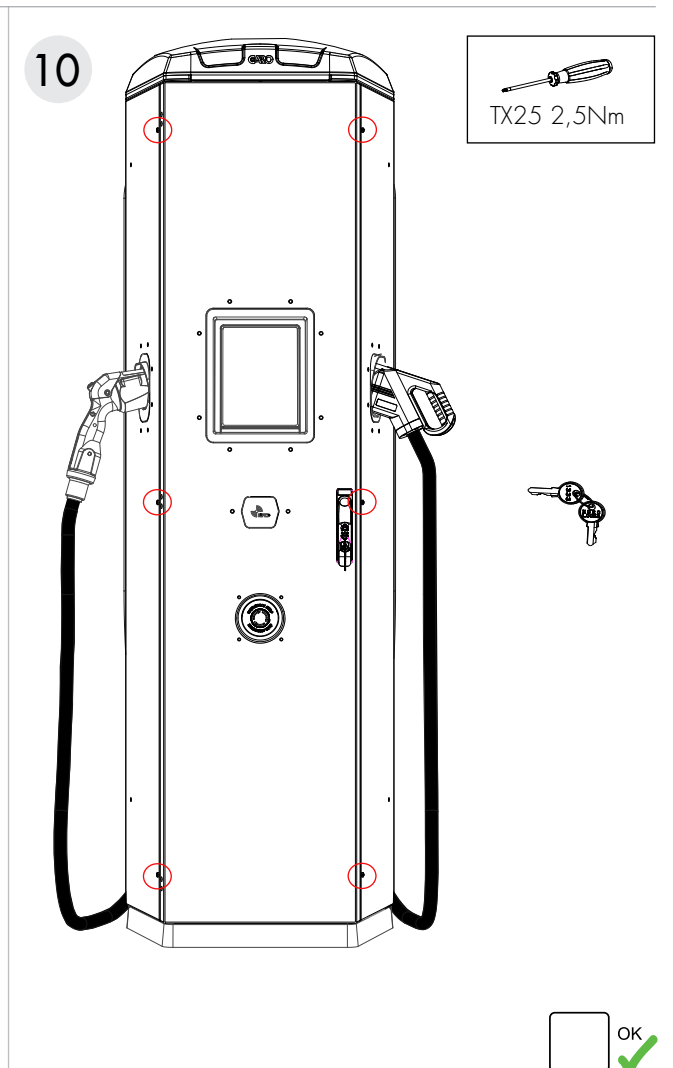
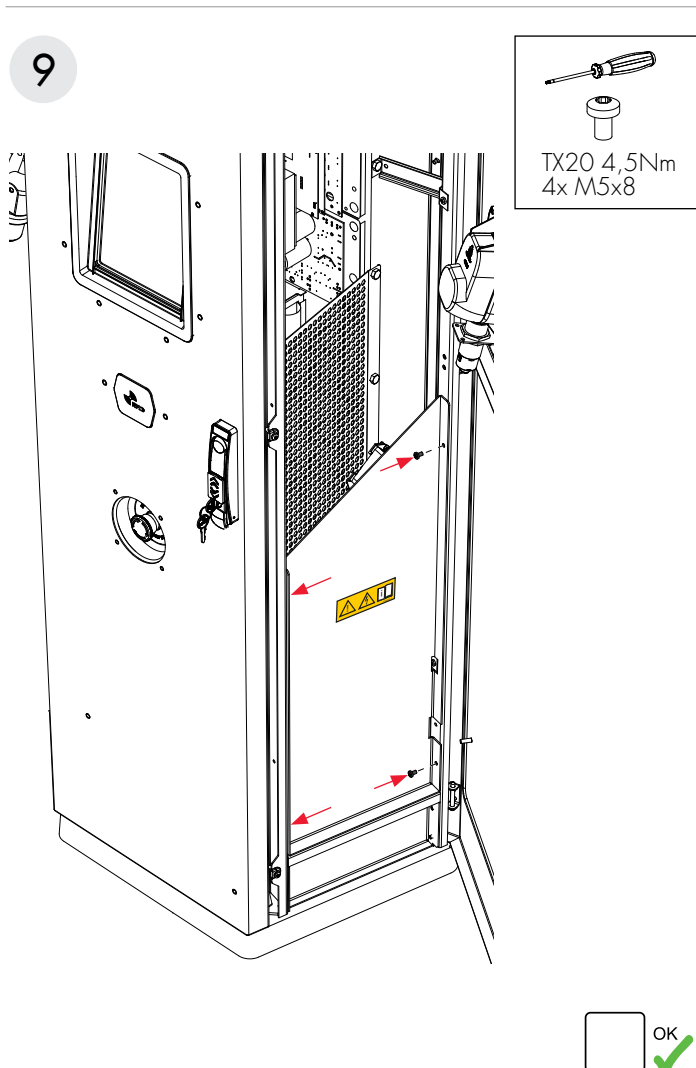


22Nm Cu / Al



GARO Althea

1. PE Continuity	Power OFF	Q1=OFF	
	INSTRUMENT ID:		
	 - PE	mΩ (Low)	
2. Cable insulation	Feeding cable voltage OFF	Q1=OFF	
	METER ID:		
	PE-L1	MΩ(Hi)	
	PE-L2	MΩ(Hi)	
	PE-L3	MΩ(Hi)	
	L1-L2	MΩ(Hi)	
	L2-L3	MΩ(Hi)	
	L1-L3	MΩ(Hi)	
3. Voltage check	Feeding cable voltage ON	Q1=OFF	
	METER ID:		
	N-L1	(230V)	
	N-L2	(230V)	
	N-L3	(230V)	
	L1-L2	(400V)	
	L2-L3	(400V)	
	L1-L3	(400V)	
4. Startup	Feeding cable voltage ON	Q1=ON	



Key data

Charging interface:	Chademo + CCS
Power:	50kW
Output voltage:	200-500 VDC
Max output current:	125 ADC
Input voltage:	TN 3x400 VAC +-10% + N + PE 50 Hz
Max input current:	80 A
Max grid short circuit power:	36 kA
Recomendedmin.fuse:	100A Type C
IP:	IP54
IK:	IK10
Weight:	280 kg
Height:	1955 mm
Footprint:	540x600 mm
Ambient temperature range:	-30°C to +40°C
	<p>note: charging capacity will be reduced at higher temperatures (typically over 40°C), but charging can be done also at higher temperatures.</p> <p>Lower temperatures may result in poor touchscreen performance, but charging should still be possible even in colder conditions. Screen will have reduced functionality at low temperatures. If heater is excluded, the specified temperature limit is -25°C.</p>
Panel material:	powdercoated steel Magnelis®
User interface:	Touchscreen 10,4"
RFID:	Mifare classic 1K, 4K, Ultralight
CPO Communication:	OCPP 1.6 Json



GARO AB

Box 203, SE-335 25 Gnosjö

Phone: +46 (0) 370 33 28 00

Fax: +46 (0) 370 33 28 50

info@garo.se

garo.se