

GARO

GKUT 3250 A1V T6EMC

Ithe 250A IP65

Ie/Ue 50/60Hz
400V~ 690V~

AC-21A 250A 250A

AC-22A 250A 250A

AC-23A 250A 250A

AC-23A 132kW 250kW

IEC 60947-3



MADE IN FINLAND

GARO

SÄKERHETSBRYTARE

GKUT 3250 A1V T6EMC

E3134196

107620

3 Poles

AC-21 250A 400V~

AC-23 132kW 400V~

AC-23 250kW 690V~

Qty: 1



7331185121239

GARO AB, Södergatan 26, 33525 Gnösjö

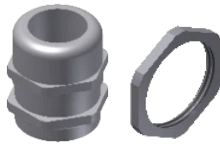


IP65



PLÅT

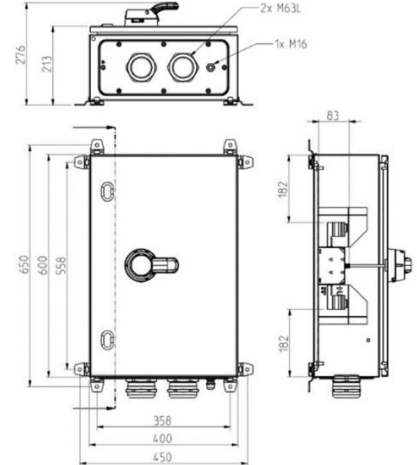
EMC




M63L M EMC
x 2



M16 M EMC
x 1



Part	Name	Drawing number	Note
Switch	KU 3250W		
Enclosure	T6, 400x600x200	EC040620	Door earthing
Handle	LKX100, black		
Phase barriers	2x VS250		
Cable connectors	6x KKL1x240M8		Al/Cu(35-240)mm ²
PE-terminal	KL1x95PE + earthing bar		Al/Cu(16-95)mm ²
Shaft	L=175AD12/T6		
Cable glands	2x KPK M63L M EMC + 2x KVM M63 M EMC 1x KPK M16 M EMC + 1x KVM M16 M EMC		ø(37-53)mm ø(5-10)mm
Auxiliary contact	1V160KU		
Wall mounts	ECSF0001		
Cover stamps	GARO-logo Säkerhetsbrytare* EMC-mark		Laser Laser Laser
Data stamp	GKUT 3250 A1V T6EMC		Laser
Package	Single package		
GARO code	107620		
EAN code	7331185121239		
E-number	E3134196		

Made by	S. Repo	Document	107620	Version
Date	15.08.2022	Specification number	107620	
Changes		Type	GKUT 3250 A1V T6 EMC	
Approved by		Customer	GARO	
Stamp and approval		 107620		