

GARO

GKUT 380 1V T5

lthe 125A IP65
 le/Ue 50/60Hz
 400V- 690V-
 AC-21A 125A 125A
 AC-22A 100A 100A
 AC-23A 80A 63A
 AC-23A 45kW 55kW
 IEC 60947-3



MADE IN FINLAND

GARO

SÄKERHETSBRYTARE

GKUT 380 1V T5

E3134189

107613

3 Poles
 AC-21 125A 400V-
 AC-23 45kW 400V-
 AC-23 55kW 690V-
 Qty: 1



IP65

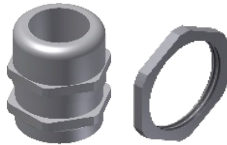


PLÅT



7331185121161

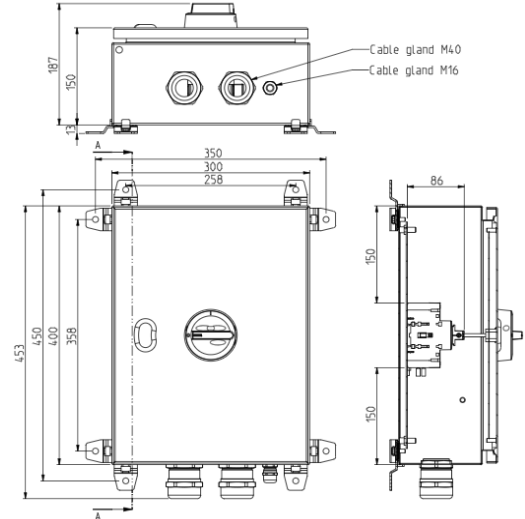
GARO AB, Södergatan 26, 33525 Gnösjö




M40 M
x 2



M16 M
x 1



Part	Name	Drawing number	Note
Switch	KU 3100		
Enclosure	T5, 300x400x150	EC030415	
Handle	LK10, black		
PE-terminal	KL1x95PE + earthing bar		Al/Cu(16-95)mm ²
Shaft	L=102AD11/VT		
Cable glands	2x KPK M40 M + 2x KVM M40 M 1x KPK M16 M + 1x KVM M16 M		ø(19-28)mm ø(5-10)mm
Auxiliary contact	1V160KU		
Wall mounts	ECSF0001		
Cover stamps	GARO-logo Säkerhetsbrytare*		Laser Laser
Data stamp	GKUT 380 1V T5		Laser
Package	Single package		
GARO code	107613		
EAN code	7331185121161		
E-number	E3134189		

Made by	S. Repo	Document	107613	Version
Date	08.08.2022	Specification number	107613	
Changes		Type	GKUT 380 1V T5	
Approved by		Customer	GARO	
Stamp and approval		 107613		